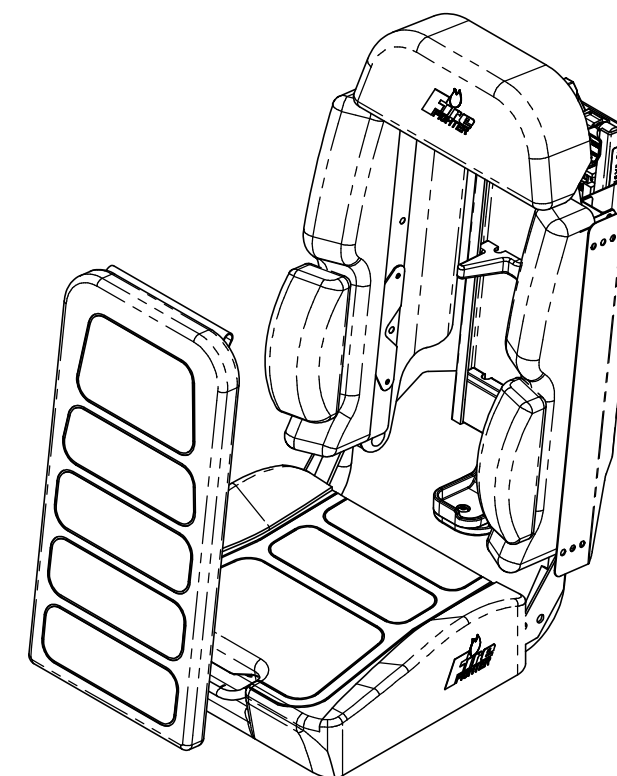
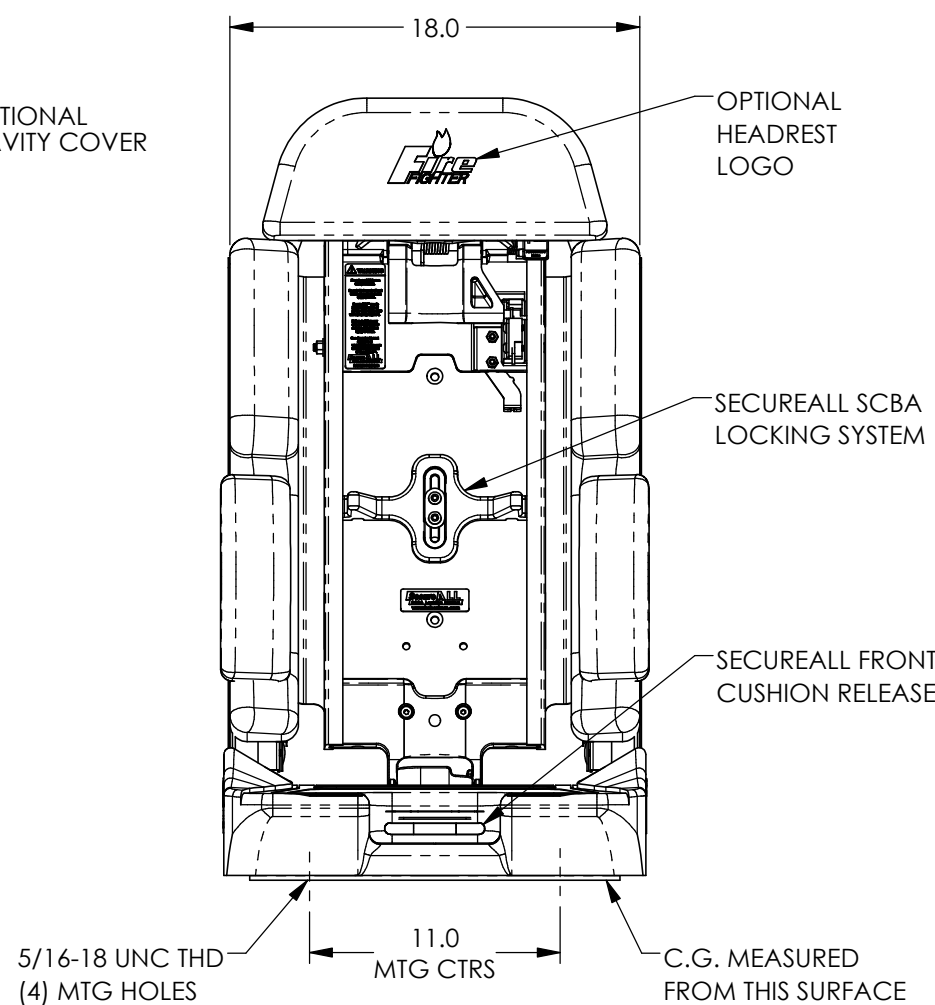
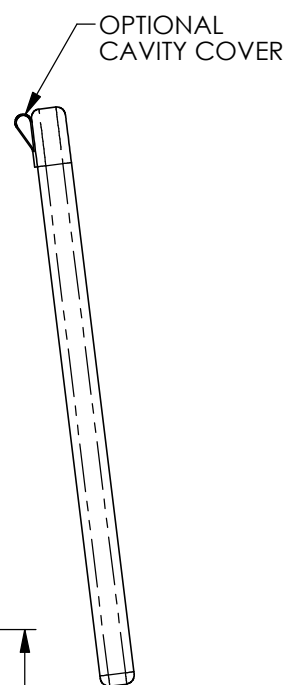
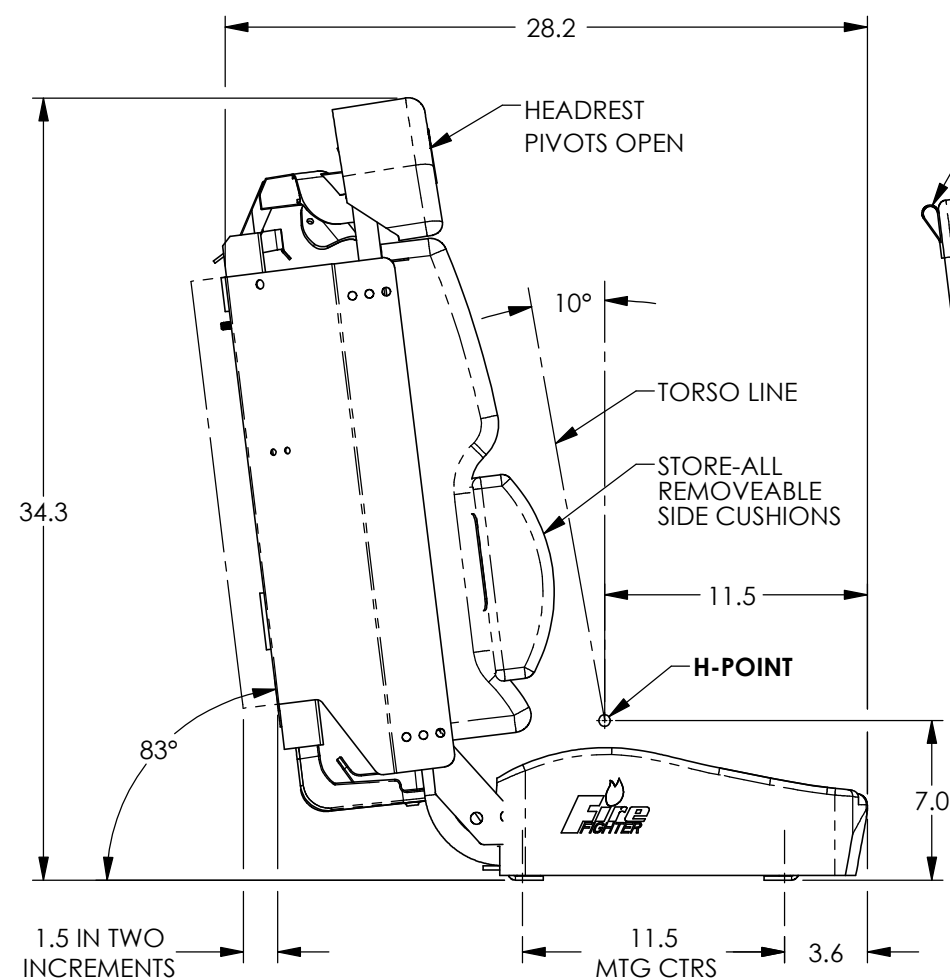




Tanker 450 with SecureALL SCBA Bracket

www.hobostrom.com
262-542-0222



All measurements are in inches except where noted.

Seat dimensions are model-specific and subject to change; actual dimensions may vary slightly from the drawing. Contact H.O. Bostrom sales or customer service to identify specific seat features, possible applications, part numbers, and related dimensions. Designs and drawings are the property of H.O. Bostrom Company and are not to be reproduced or replicated. Copyright© 2023, H.O. Bostrom Company. All Rights Reserved.